

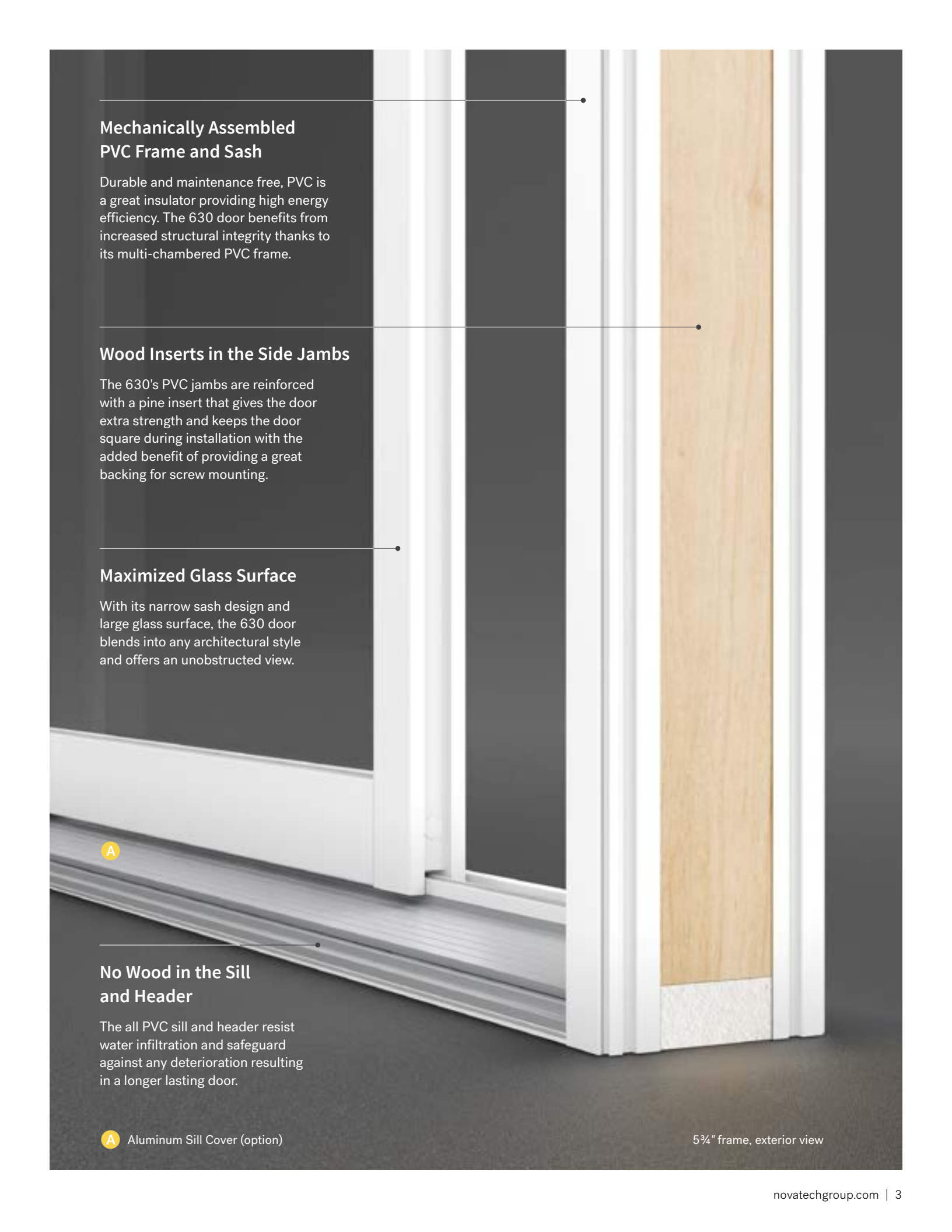




## The 630 Patio Door

### A New Generation of All PVC Doors

The 630 patio door is the result of 35 years of experience at Novatech. Beyond its sleek contemporary style and exceptional performance, this door is also the most versatile in our product line. Designed with ease of installation in mind, this door boasts a multitude of features that make it perfectly adaptable to your type of construction while providing superior energy efficiency that meets the Energy Star standard.



The image shows a close-up, exterior view of a white PVC door frame. A vertical wood insert is visible in the side jamb. At the bottom, there is an aluminum sill cover. Three horizontal lines with dots at the end point to the top of the frame, the wood insert, and the sill cover. A yellow circle with the letter 'A' is located near the sill cover.

## Mechanically Assembled PVC Frame and Sash

Durable and maintenance free, PVC is a great insulator providing high energy efficiency. The 630 door benefits from increased structural integrity thanks to its multi-chambered PVC frame.

## Wood Inserts in the Side Jambs

The 630's PVC jambs are reinforced with a pine insert that gives the door extra strength and keeps the door square during installation with the added benefit of providing a great backing for screw mounting.

## Maximized Glass Surface

With its narrow sash design and large glass surface, the 630 door blends into any architectural style and offers an unobstructed view.

## No Wood in the Sill and Header

The all PVC sill and header resist water infiltration and safeguard against any deterioration resulting in a longer lasting door.

**A** Aluminum Sill Cover (option)

5 1/4" frame, exterior view



The image shows a close-up, interior view of a white-framed patio door. The door features double glazing with a visible spacer between the panes. The frame is composed of vertical stiles and a bottom rail. A yellow circle with the letter 'B' is positioned on the lower part of the left vertical stile. Two horizontal lines with dots at their ends point to the 'Energy Efficiency' and 'Strength and Security' sections on the right side of the page.

## Energy Efficiency

- Tempered double glazing
- 1" thickness
- Low thermal emissivity coating (Low E)
- Warm edge spacer

## Strength and Security

- Steel reinforcements in the vertical stiles
- Multiple security options (see p. 6)

B

B PVC cavity filler cap for an exceptional finish (option)

5 3/4" frame, interior view

# The Solution for Any Project

## Multiple Configurations for the Perfect Finish

The 630 patio door is designed to simplify installation in the context of a new construction or a renovation project. Two standard frame sizes combined with three different frame extensions offer multiple configurations that make the 630 easy to install in just about any type of wall construction. Exterior finish mouldings are compatible with all types of masonry and siding.

### Exterior Finish Brick Moulding



#### Contemporary Brick Mould

1 ½" PVC moulding with a contemporary shape. Brick moulds available with or without a nailing fin and/or in an open configuration for installation with siding.



#### 4" Brick Mould

Brick moulds available with or without a nailing fin and/or in an open configuration for installation with siding.



#### Renovation Brick Mould

Brick moulds with screw-cap for a simple and successful installation in the context of a renovation project.

### Interior Finish Frames



#### Standard Frames

Two standard frame depths: 5 ¾" and 7 ¼". 7 ¼" frame shown above. The 5 ¾" frame can be seen on pages 3 and 4.



#### Interior Frame Extensions

Three depths of PVC extensions can be added to either of the standard frames. See configurations on page 7. 7 ¼" frame with 2 ½" frame extension shown above. Also Available: PVC-clad pine frame extensions made to the specific dimensions of your project (option).



#### Drywall Moulding

J moulding for ½" or ¾" drywall board. 5 ¾" frame with drywall moulding shown above.

### Sealing & Performance Sill Tower Riser



#### Sill Tower Riser

An added raised interior wall improves water tightness. High performance (400 pa/B4). 5 ¾" frame with Sill Tower Riser shown above.

Configurations

	5'	6'	8'	9'	9' & 12'	10' & 12'
Exterior view. X = Opening Panel. O = Fixed Panel.						
630	59½" × 79½" 58½" × 81"	71½" × 79½" 70½" × 81"	95½" × 79½" 94½" × 81"	104⅝" × 79½" 103¼" × 81"	107¼" × 79½" 105⅞" × 81" 141¾" × 81"	116½" × 79½" 114½" × 81" 140⅞" × 79½" 138⅞" × 81"
	More than 100 colours available. Custom colours on demand.		Sturdy and resistant extruded aluminum screen. Sidelites, transoms, and custom sizes available.			

Design Options



**Dividers**  
Flat/Rectangular 2",  
1 × 3 squares.



**Grills**  
Flat/Rectangular ⅝",  
3 × 6 squares.



**Top Grills**  
Flat/Rectangular ⅝" or 1",  
3 × 1 squares.



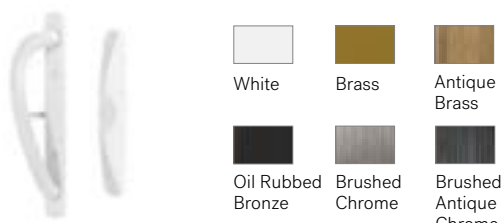
**Kick Panels**  
Shaker style embossment.

Consult your retailer for more information on our grill options.

Hardware



**Prestige handle**  
Inside and outside handles shown.  
Keyed lock available (option).



**Signature Handle with  
Double-Point Mortise (option)**  
Inside and outside handles shown.  
Keyed lock available (option).

Security



Double-point mortise lock option.



Three-position foot lock option.  
Only available in white.



Security bar option. Only available in white.

Performance

Reference: 71½" x 81" door

Type of glazing	U Value		Solar Heat Gain Coefficient (SHGC)	Energy Rating (ER)	Energy Star Zone (Canada)
	Metric (W/m²K)	Imperial (Btu/h ft² °F)			
Double glazed with with one Low E 80/70 glass on face 3	0.31	1.76	0.55	32	2

Harmonized standards: AAMA/WDMA/CSA101/1.S.2/A440-08

Air leakage resistance: A3

Water penetration resistance: 330 Pa/B3, 400 Pa/B4 with Sill Tower Riser option

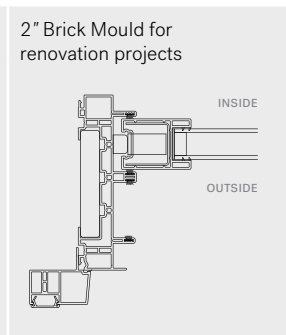
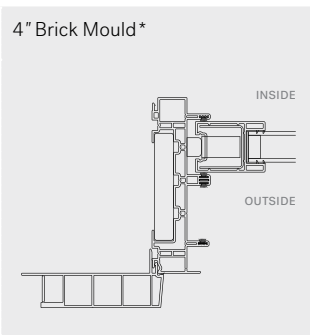
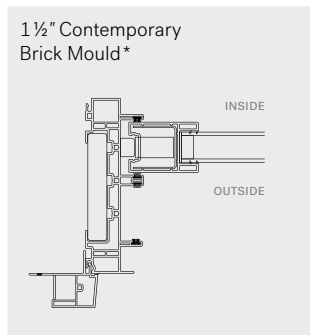
Uniform load structural test: PG 40

Operating force: E3

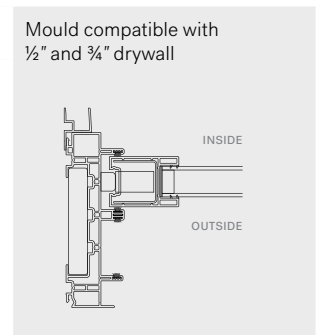
Forced-entry resistance: F2

Frame Configurations

Brick and Siding Mould

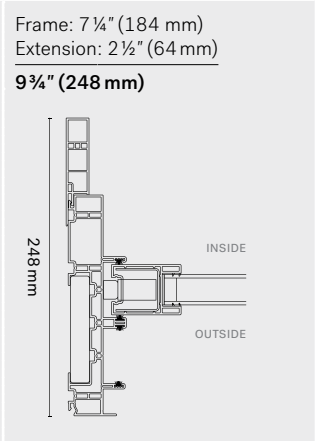
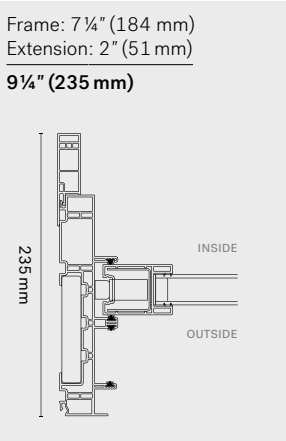
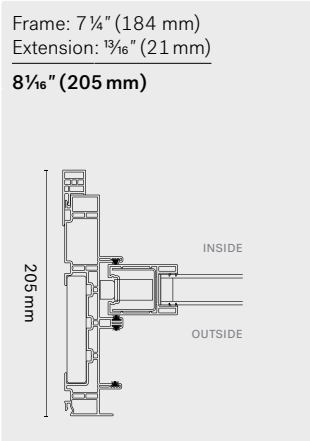
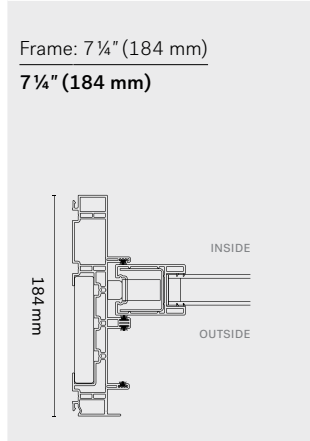
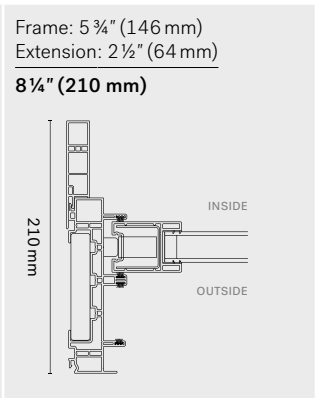
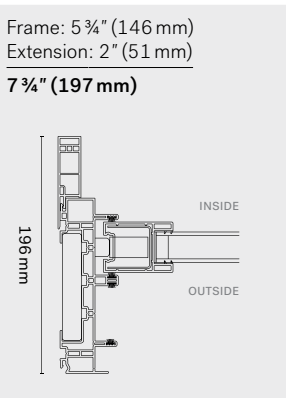
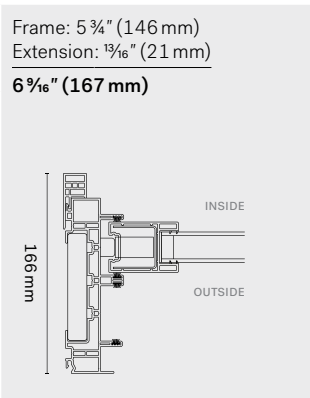
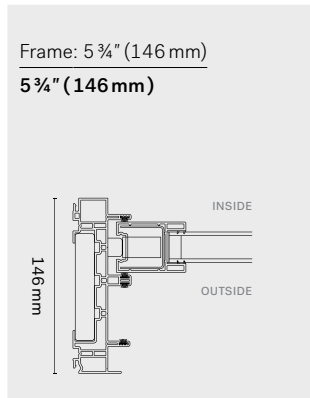


Interior Drywall Mould



\*Brick Moulds available with or without a nailing fin and/or in an open configuration for installation with siding.

Frames and Frame Extensions



# Worry-Free Warranty



20 years limited warranty on white PVC and Aluminum extrusions.



20 years limited warranty on sealed units.



10 years limited warranty for the paint on PVC or Aluminum.



5 years limited warranty on hardware.



1 year limited warranty starting on the date of delivery, applied to all manufacturing defects of the product as well as to labor and transportation costs.

Consult your retailer for more information on our Warranty.

---

## Customer Service

**Toll Free: 1-866-886-2215**

### Customer Service #1

[quotesppn@novatechgroup.com](mailto:quotesppn@novatechgroup.com)

[ordersppn@novatechgroup.com](mailto:ordersppn@novatechgroup.com)

### Technical Service #2

[savppn@novatechgroup.com](mailto:savppn@novatechgroup.com)

---

## Canada

### Novatech Head Office

160, Murano Street  
Sainte-Julie, Quebec  
J3E 0C6

### Novatech Showroom

1401, Nobel Street  
Sainte-Julie, Quebec  
J3E 1Z4  
Tel: 1-844-986-8001

### Novatech Patio Doors

100, 181<sup>th</sup> Street  
Beauceville, Quebec  
G5X 2T1

### Toronto Office and Showroom

1-2070 Codlin Crescent  
Toronto, Ontario  
M9W 7J2

### Calgary Office and Showroom

17-5505, 72<sup>nd</sup> Avenue SE  
Calgary, Alberta  
T2C 3C4

## United States

### Novatech USA

180 Textile Drive  
Ridgeway, Virginia  
24148  
[infoUSA@novatechgroup.com](mailto:infoUSA@novatechgroup.com)

## France

### Novatech Europe

8 Quai du Canal,  
BP83 Roanne  
42 302  
France

**Novatech**<sup>®</sup>

[novatechgroup.com](http://novatechgroup.com)